

Toroidal Inductors

Medium Current

CTP4557

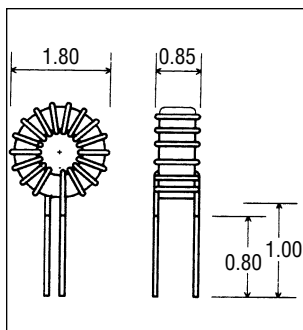
CTP4557 is a medium current inductor with the following data and features:

- **Core type:** 1.57" o.d., Moly-Permalloy Powder, perm 60.
 - **Power rating:** 4.50 watts for temp. rise 50°C.
 - **Typical applications:** Switching Inductors in Switch Mode Power Supplies.
- Three mounting styles are offered:**
- 1 Flying leads (1.00"), for vertical or horizontal mounting.
 - 2 4-pin header, for vertical mounting.
 - 3 Threaded center hole, flying leads (2.00").

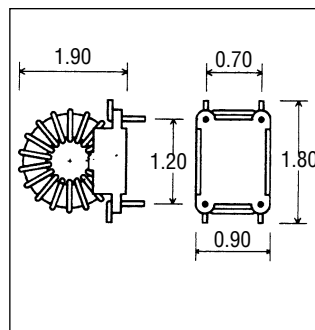


MECHANICAL

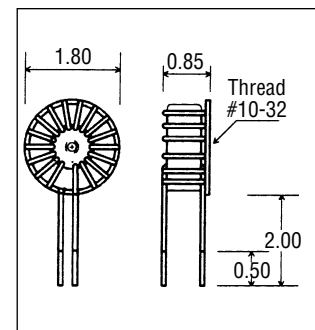
Style 1



Style 2



Style 3



ELECTRICAL SPECIFICATION

Ordering Information: Substitute the style number for the asterisk (*). Example: CTP4557, Style 1, 56uH. Order: CTP4557 - 116

Part No. CTP4557 -	Ind. (uH)	DCR Ohms	Rated Current Amp. RMS	I (amp.) @ Lsat. 10%	I (amp.) @ Lsat. 25%	I (amp.) @ Lsat. 50%	Part No. CTP4557 -	Ind. (uH)	DCR Ohms	Rated Current Amp. RMS	I (amp.) @ Lsat. 10%	I (amp.) @ Lsat. 25%	I (amp.) @ Lsat. 50%
* 01	3.3	0.002	53.8	44.2	73.6	122.7	* 17	68	0.017	16.2	9.7	16.2	27.0
* 02	3.9	0.002	51.7	40.6	67.7	112.8	* 18	82	0.019	15.4	8.9	14.8	24.6
* 03	4.7	0.002	49.4	37.0	61.7	102.8	* 19	100	0.021	14.7	8.0	13.4	22.3
* 04	5.6	0.002	47.4	33.9	56.5	94.2	* 20	120	0.023	14.0	7.3	12.2	20.3
* 05	6.8	0.002	45.2	30.8	51.3	85.5	* 21	150	0.032	11.8	6.6	10.9	18.2
* 06	8.2	0.002	43.2	28.0	46.7	77.8	* 22	180	0.035	11.3	6.0	10.0	16.6
* 07	10	0.003	41.2	25.4	42.3	70.5	* 23	220	0.049	9.6	5.4	9.0	15.0
* 08	12	0.003	39.4	23.2	38.6	64.3	* 24	270	0.054	9.1	4.9	8.1	13.6
* 09	15	0.003	37.3	20.7	34.5	57.5	* 25	330	0.060	8.7	4.4	7.4	12.3
* 10	18	0.004	31.8	18.9	31.5	52.5	* 26	390	0.065	8.3	4.1	6.8	11.3
* 11	22	0.005	30.2	17.1	28.5	47.5	* 27	470	0.072	7.9	3.7	6.2	10.3
* 12	27	0.005	28.8	15.4	25.7	42.9	* 28	560	0.078	7.6	3.4	5.7	9.4
* 13	33	0.008	24.4	14.0	23.3	38.8	* 29	680	0.086	7.2	3.1	5.1	8.5
* 14	39	0.008	23.4	12.8	21.4	35.7	* 30	820	0.094	6.9	2.8	4.7	7.8
* 15	47	0.011	19.9	11.7	19.5	32.5	* 31	1000	0.131	5.9	2.5	4.2	7.0
* 16	56	0.012	19.1	10.7	17.9	29.8	* 32	1200	0.181	5.0	2.3	3.9	6.4

CTP4557